

Product information presented here reflects conditions at time of publication. Consult factory regarding discrepancies or inconsistencies.



MAIL TO: P.O. BOX 16347 • Louisville, KY 40256-0347
SHIP TO: 3649 Cane Run Road • Louisville, KY 40211-1961
TEL: (502) 778-2731 • 1 (800) 928-PUMP • **FAX:** (502) 774-3624

Visit our web site:
zoellerpumps.com

REPLACEMENT PARTS LIST FOR MODELS:

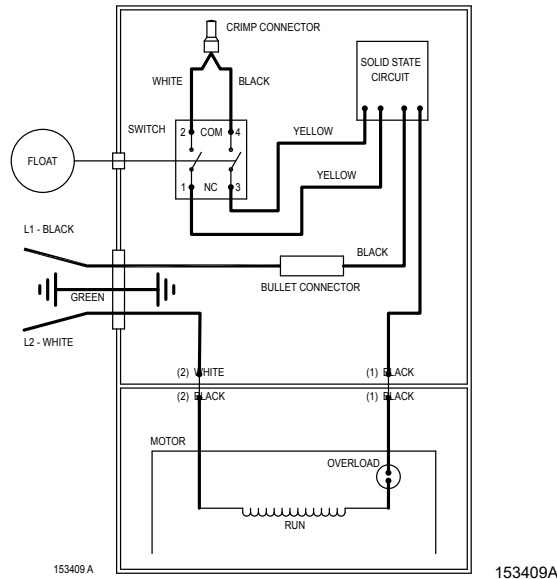
M63 AUTOMATIC 115V

Consult factory for all other models.

TO ORDER REPLACEMENT PARTS:

PLEASE FURNISH THE FOLLOWING INFORMATION:

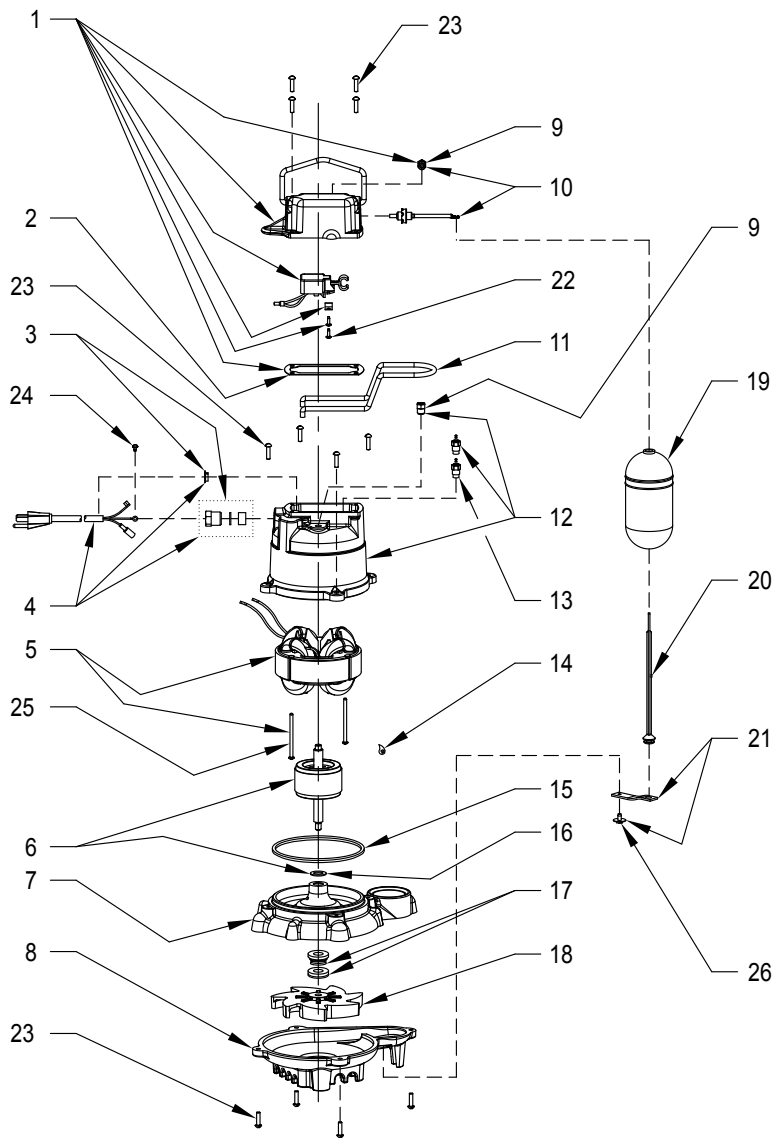
- Model number
- Part number of pump.
- Part number and description of part



WIRING DIAGRAM FOR MODEL
"M63"
1/16 thru Current

REPLACEMENT PARTS LIST AND ILLUSTRATION FOR MODEL "M63".

		MODELS:		M63-A
REF NO.	DESCRIPTION	QTY	NOTES	1/16 thru Current
1	Case and switch assembly	1		153860
2	• Gasket, Case/Cover	1		034046
3	• Cord seal assembly	1		153861
4	Cord assembly 15'	1		153862
	Cord assembly 25'			156147
5	Stator and screws	1		007951
6	Rotor assembly	1		054032
7	Pump housing	1		057018
8	Base	1		057029
9	• Test plug - silver	2		153855
10	• Arm and seal assembly	1		154472
11	Guard	1		004645
12	Motor housing assembly	1		154433
13	• Thru wall terminal seals	2		003402
14	• Dielectric oil (19 oz)	1		002588
15	• Motor housing seal	1		034007
16	• Rotor thrust washer	1		002140
17	• Shaft seal assembly	1		267027
18	Impeller "57"	1		057010
19	Float	1		153338
20	Float rod	1		153336
21	Float rod guide assembly	1		034086
22	• Screw, #6-32 x 7/16 Pan head phillips	2		004644
23	• Screw, #10-24 x 3/4 round head slotted SS	12		001885
24	• Screw #6-32 x 1/4 round head slotted green SS	1		001877
25	• Screw, stator 8-32 x 2-17/32	2		001914
26	• Screw, Sem fastener 10-24 x 3/8 slot-ted hex head - 11/16 washer	1		002000
□	Rebuild kit "63" (1/15 thru current)	1		153865



• Items included in Rebuild Kit. □ Not Shown in Illustration.

SK3100

NOTES:

- 1) See FM0160 Parts Price Sheet for listing of parts prices.
- 2) "NA" indicates, not applicable.
- 3) If an "X" follows Model No., or Date Mfg. on brass ID tag, consult factory for ordering any parts.



MAIL TO: P.O. BOX 16347 • Louisville, KY 40256-0347
SHIP TO: 3649 Cane Run Road • Louisville, KY 40211-1961
 (502) 778-2731 • 1 (800) 928-PUMP • **FAX** (502) 774-3624

Visit our web site:
zoellerpumps.com

Trusted. Tested. Tough.®